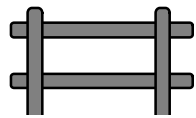
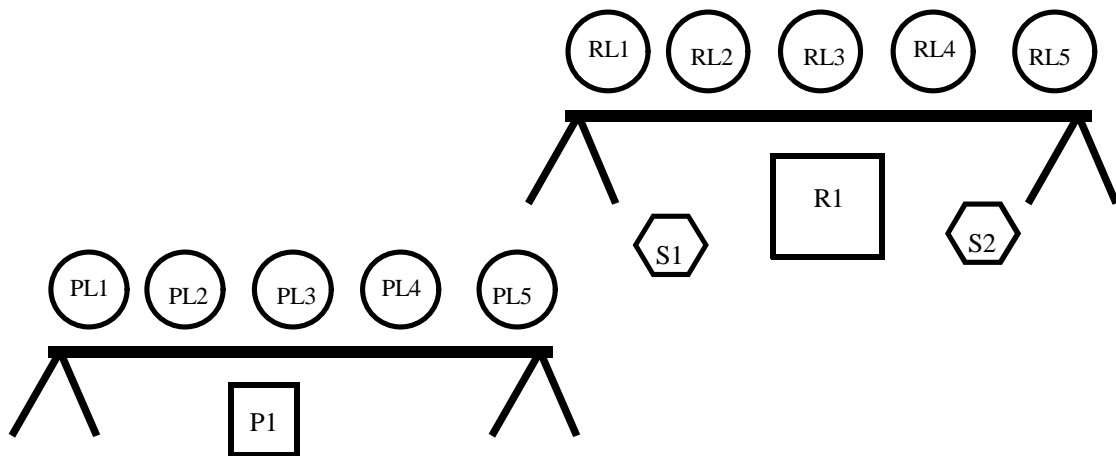


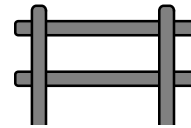
STAGE 2

Bay 2

October 2007



Position 1



Position 2



LOAD

UNLOAD

10-Pistol 10-Rifle 2+ Shotgun

START: Standing at position one with hands on hat. Rifle loaded with 10 rounds staged at Position 2 fence. Two pistols loaded with 5 rounds each holstered. Open and empty shotgun against fence at position 2.

ON SIGNAL: With pistols engage PL-1 then P-1, PL-2 ,P-1, PL-3, P-1, PL-4, P-1, PL-5 and P-1 using second pistol as needed, holster. From Position 2 Engage RL-1, R-1, RL-2, R1, RL-3, R-1, RL-4, R-1, RL-5 and R-1 Retrieve shotgun and engage S-1 thru S-2.

- Only gunfighters can have both pistols out at the same.
-